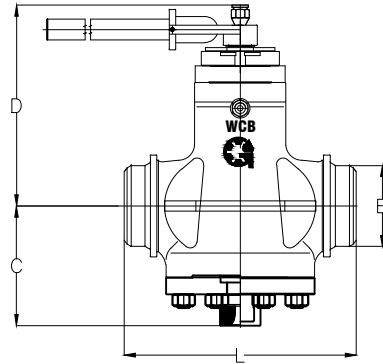
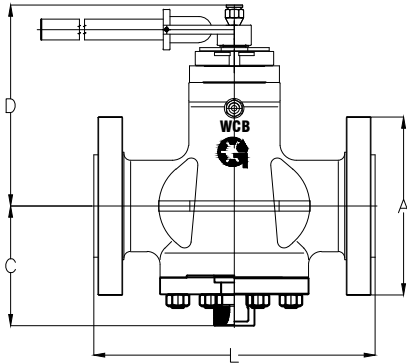


PRESSURE BALANCE PLUG VALVE TYPE CLASS 600 (PN100) S.G.CO.



SIZE		L(Face-to-Face & End-to-End)						A	B	C	D	Percent of Port Area	Operatin Type
		PATTERN											
NPS	DN	SHORT		VENTURI		REGULAR							
		R.F.	B.W.	R.F.	B.W.	R.F.	B.W.						
2"	50	-	-	-	-	292	292	165	74	137	266	79.3	W
3"	80	-	-	-	-	356	356	209.5	109	166	284	79.3	W
4"	100	-	-	-	-	432	432	273	137	184	318	63	W & G
6"	150	-	-	559	559	-	-	356	204	222	363	50.1	G
8"	200	-	-	-	-	660	660	419	263	300	483	65.1	G
10"	250	-	-	-	-	787	787	508	320	363	583	72.1	G
12"	300	-	-	838	838	-	-	559	378	420	629	51.4	G
16"	400	-	-	991	991	-	-	686	473	505	797	53	G
20"	500	-	-	1194	1194	-	-	813	575	622	945	46.2	G

