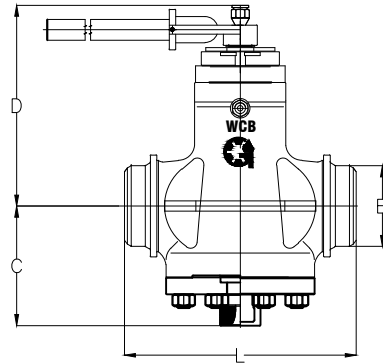
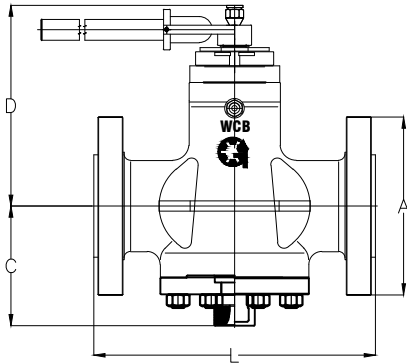


PRESSURE BALANCE PLUG VALVE TYPE CLASS 300 (PN50) S.G.CO.



SIZE		L(Face-to-Face & End-to-End)						A	B	C	D	Percent of Port Area	Operatin Type
		PATTERN											
NPS	DN	SHORT		VENTURI		REGULAR							
		R.F.	B.W.	R.F.	B.W.	R.F.	B.W.						
1"	25	159	-	-	-	-	-	124	-	100	135	55	W
2"	50	216	267	-	-	-	-	164	79	110	218	55	W
3"	80	283	330	-	-	-	-	210	98	147	267	55	W
4"	100	-	-	305	356	-	-	254	124	179	302	63	W
6"	150	-	-	-	457	403	-	318	179	225	355	61	W & G
8"	200	-	-	-	521	502	-	381	243	273	413	72.1	G
10"	250	-	-	-	559	568	-	444	302	314	507	51.4	G
12"	300	502	-	-	635	-	-	521	356	367	560	46.1	G
16"	400	-	-	838	838	-	-	648	439	475	640	46.2	G
20"	500	-	-	991	991	-	-	775	543	553	843	47	G
24"	600	-	-	1143	1143	-	-	914	644	649	978	46.2	G

